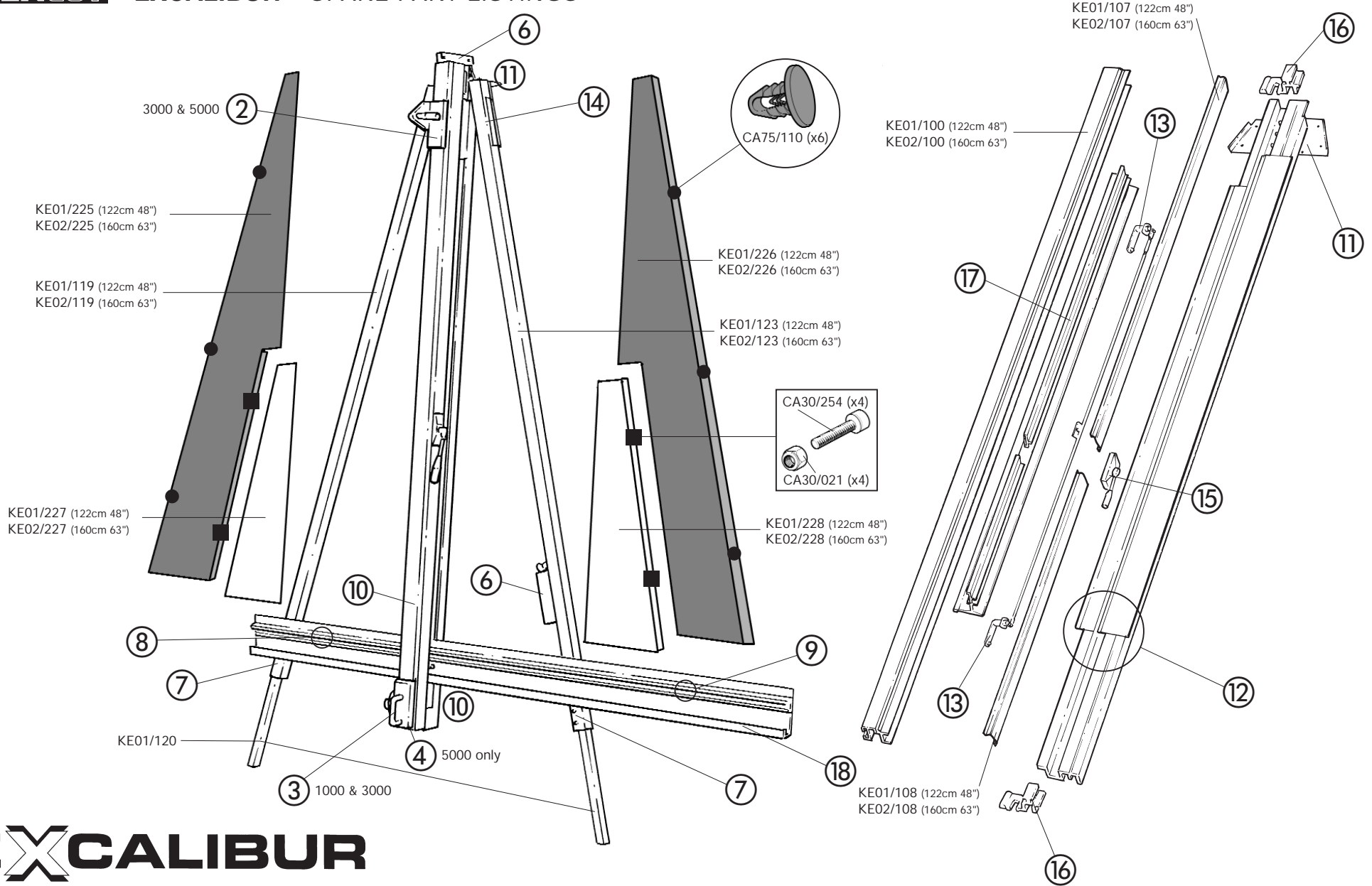


**KEENCUT**

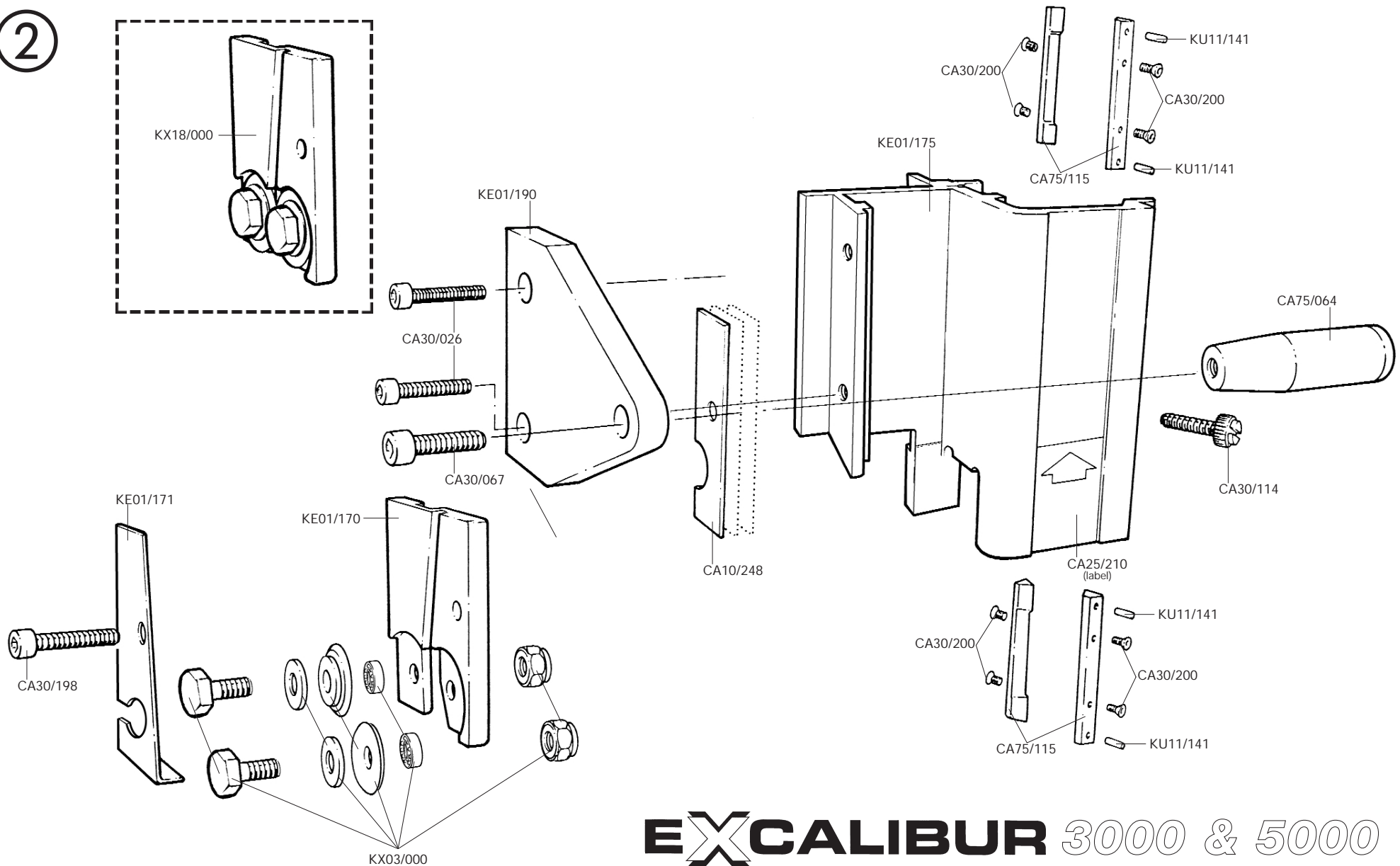
# EXCALIBUR – SPARE PART LISTINGS



**EXCALIBUR**

**KEENCUT** TWIN WHEEL CUTTER HEAD

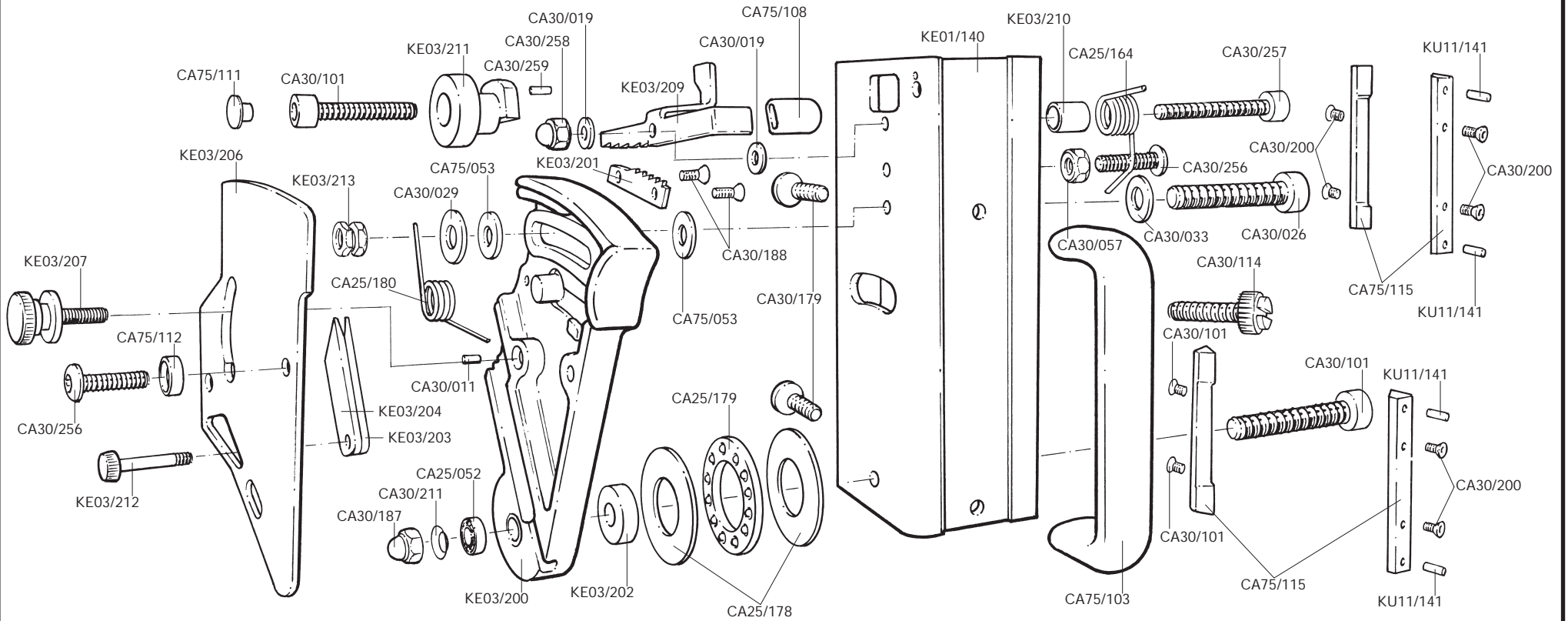
2



**EXCALIBUR** 3000 & 5000

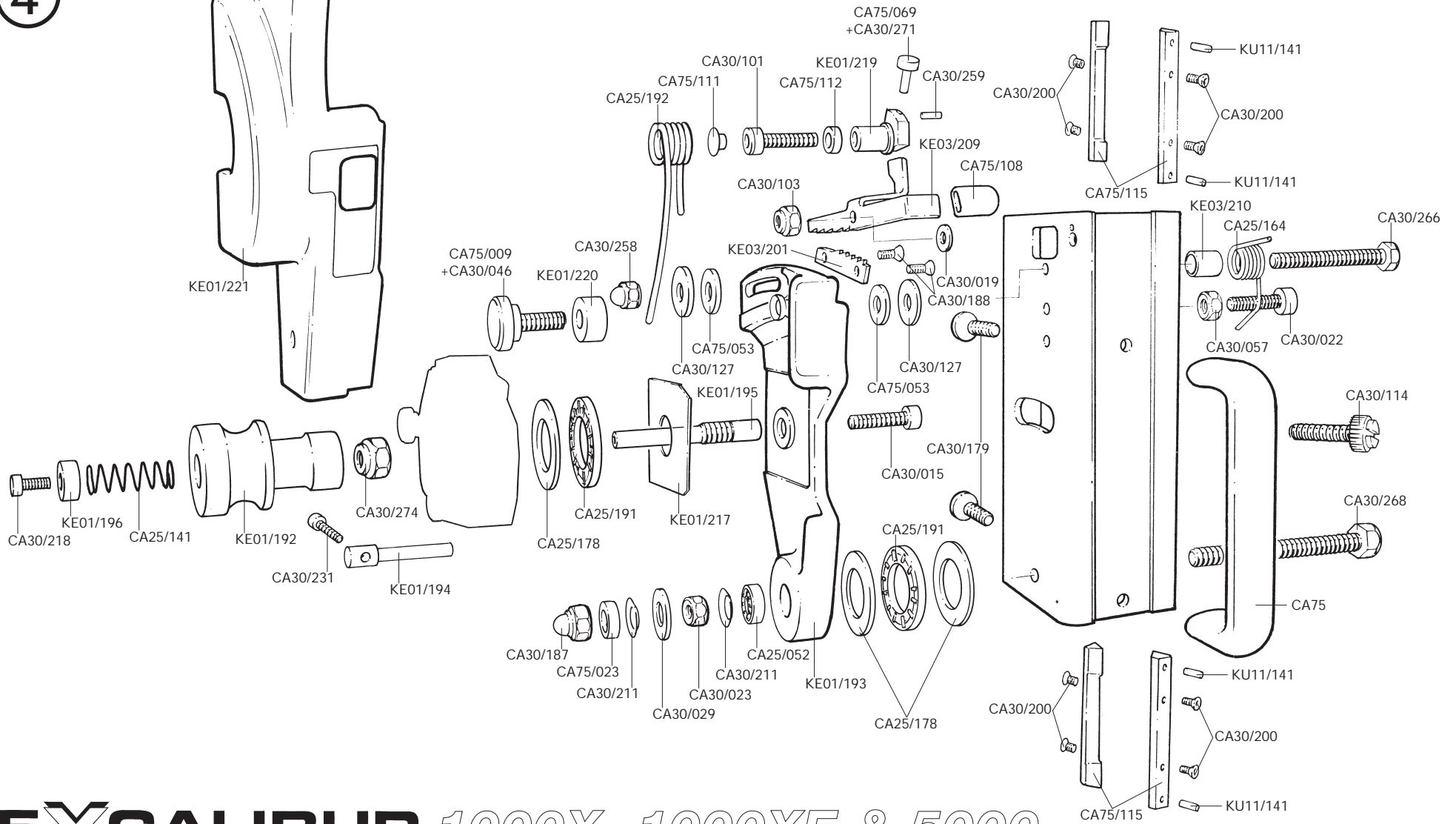
**KEENCUT SINGLE TOOL CUTTER HEAD**

**3**

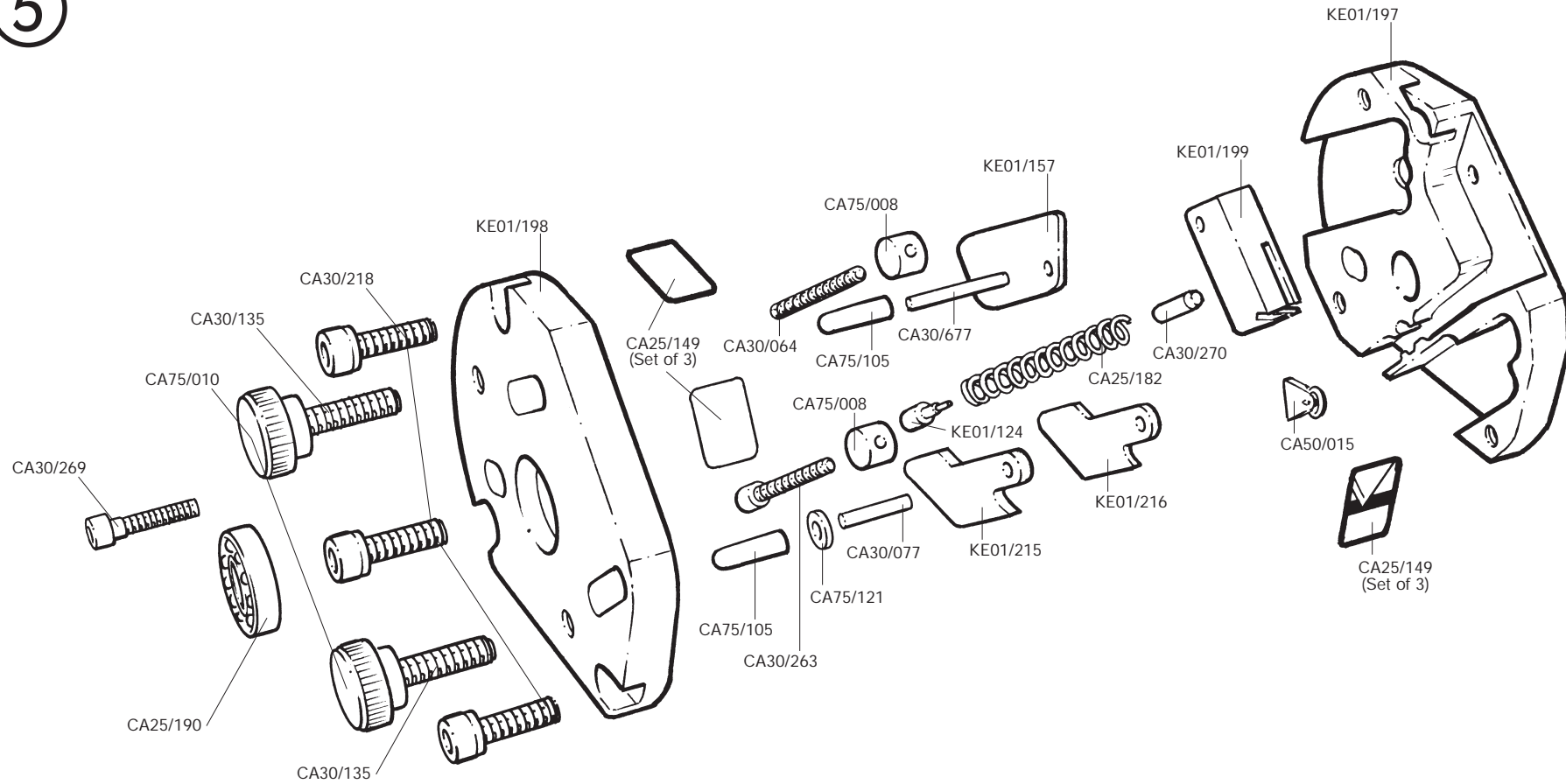


**EXCALIBUR** 1000 & 3000  
(Pre 2008)

**MULTI - CUTTER HEAD**



5

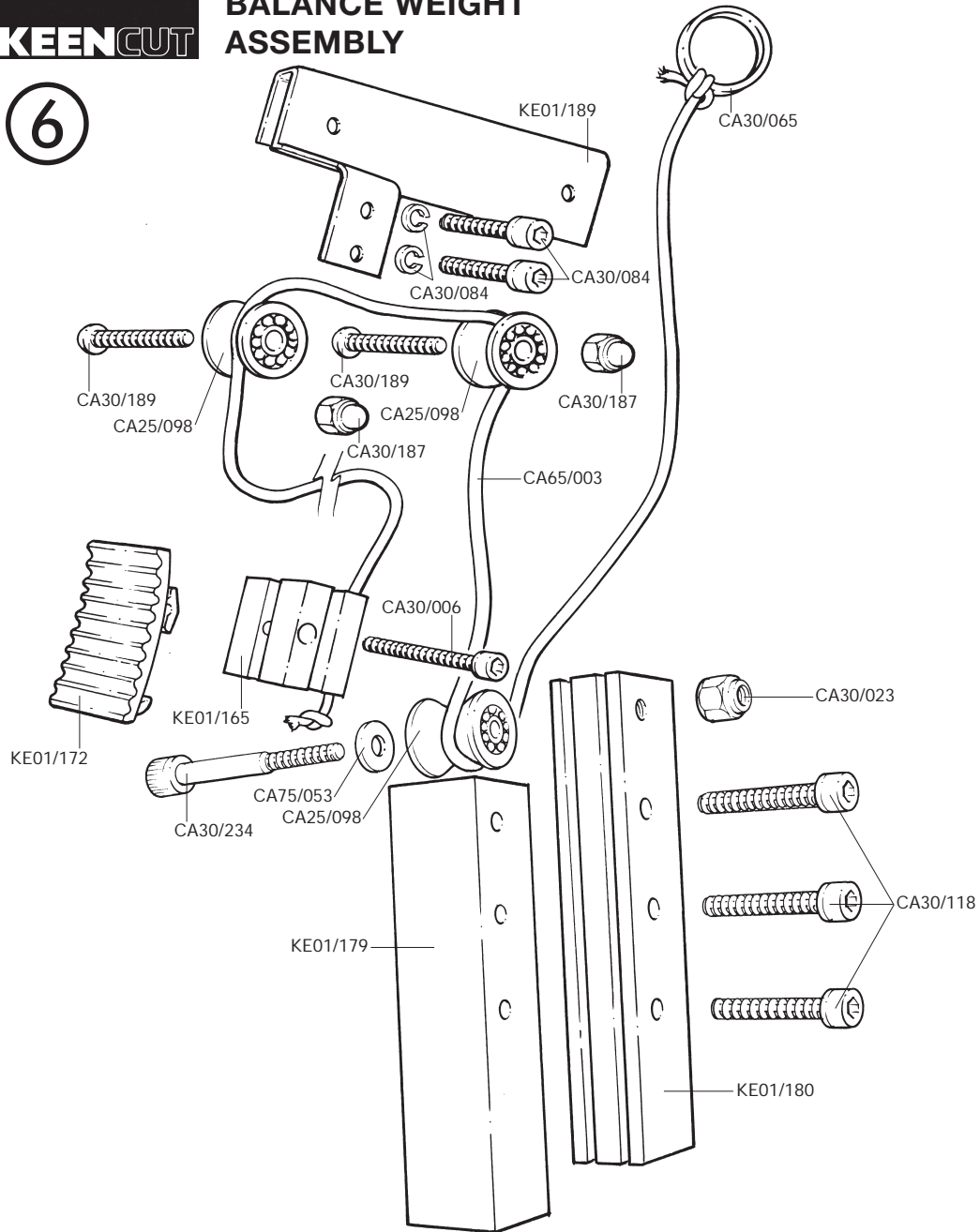


**EXCALIBUR** 1000X, 1000XE & 5000

**KEENCUT**

### BALANCE WEIGHT ASSEMBLY

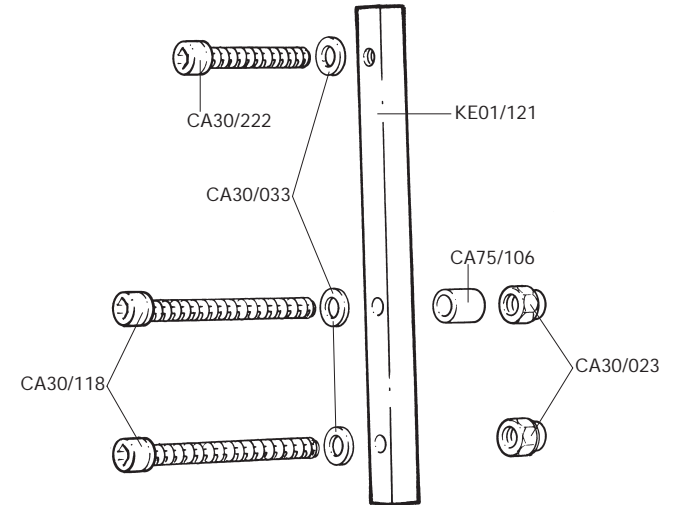
6



**KEENCUT**

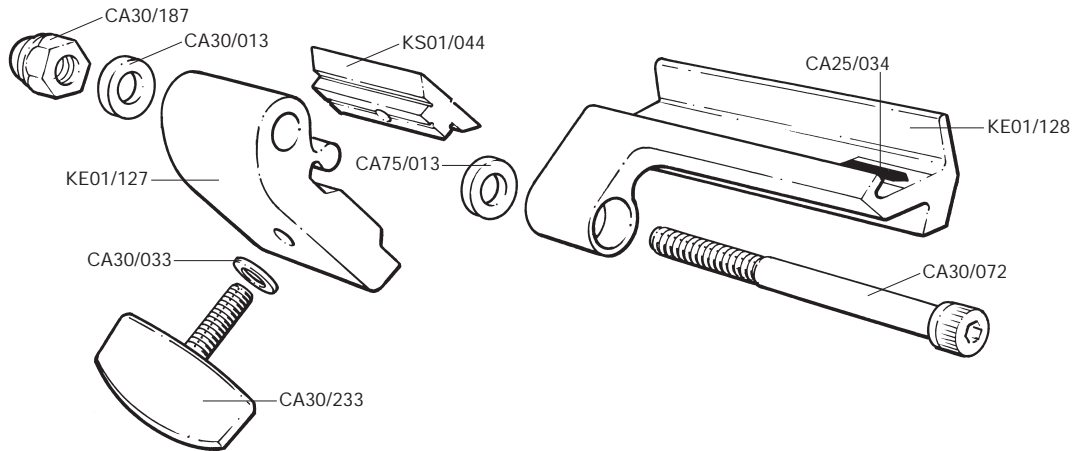
### BOTTOM LEG CLAMP ASSEMBLY

7



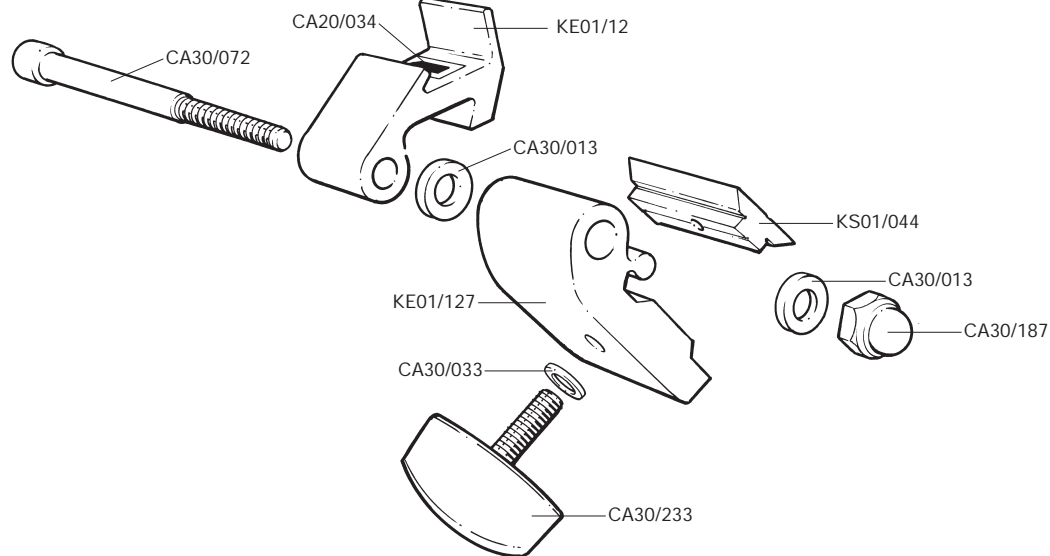
## KEENCUT LEFT HAND FLIP STOP

8



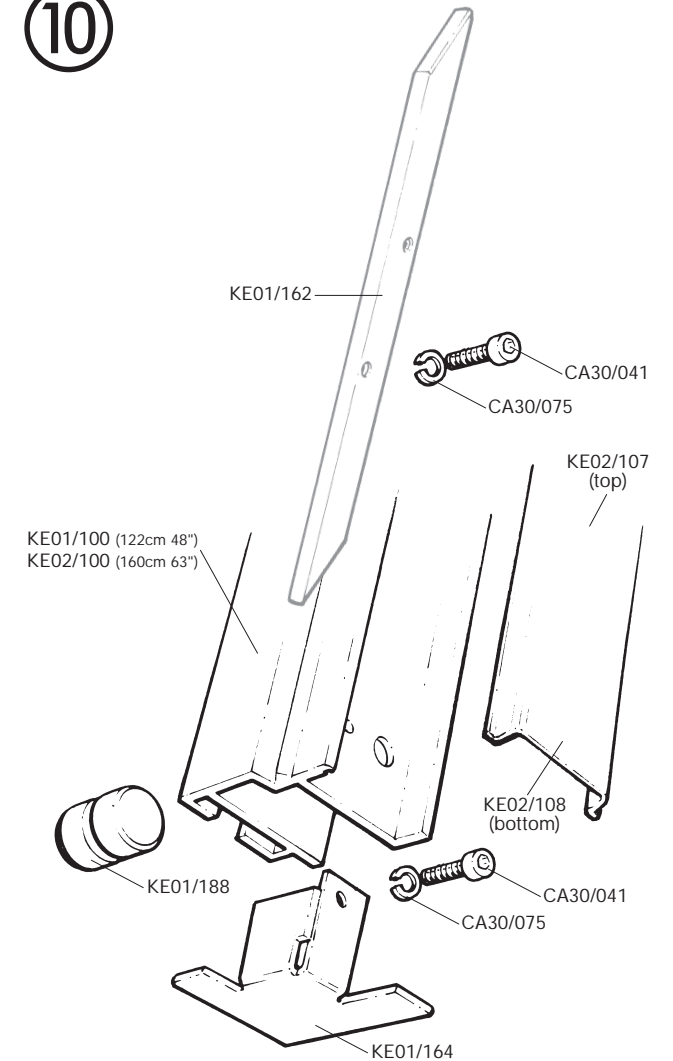
## KEENCUT RIGHT HAND FLIP STOP

9



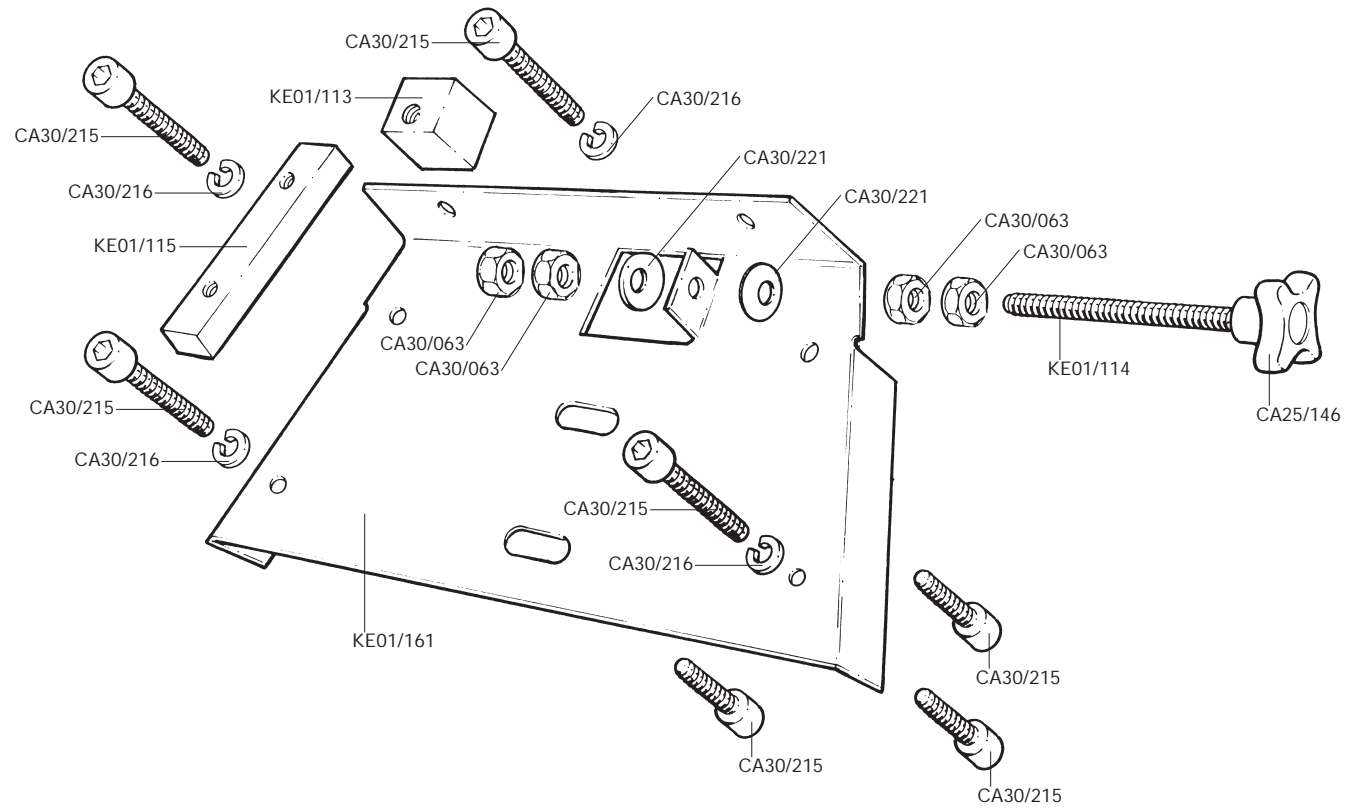
## KEENCUT SLIDEWAY ASSEMBLY

10



**KEENCUT TOP PLATE**

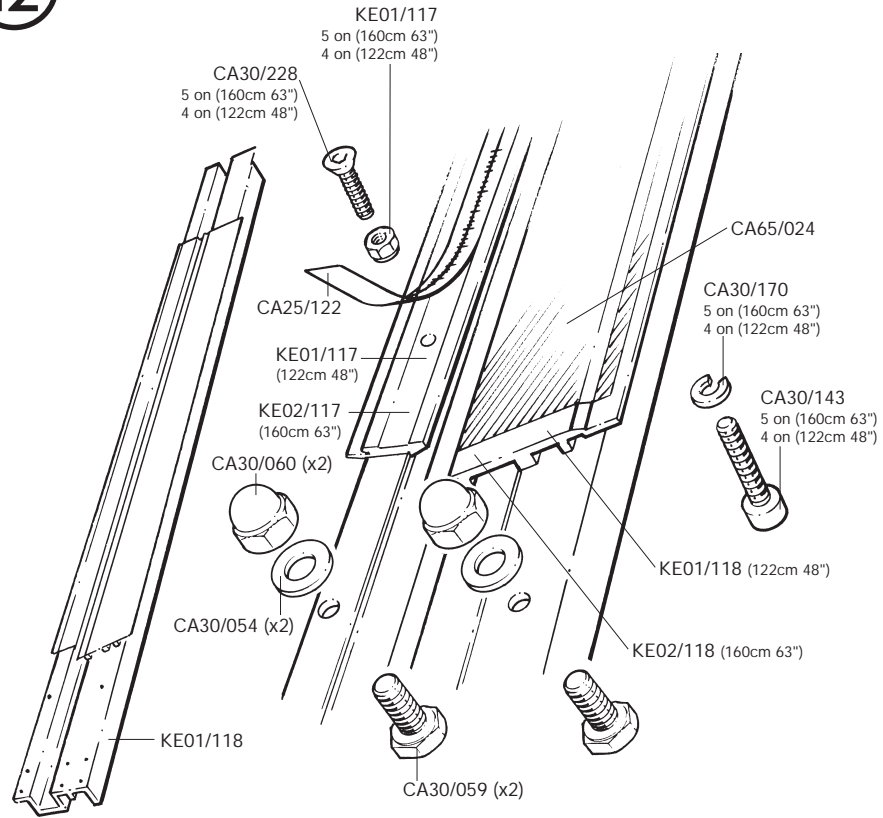
11





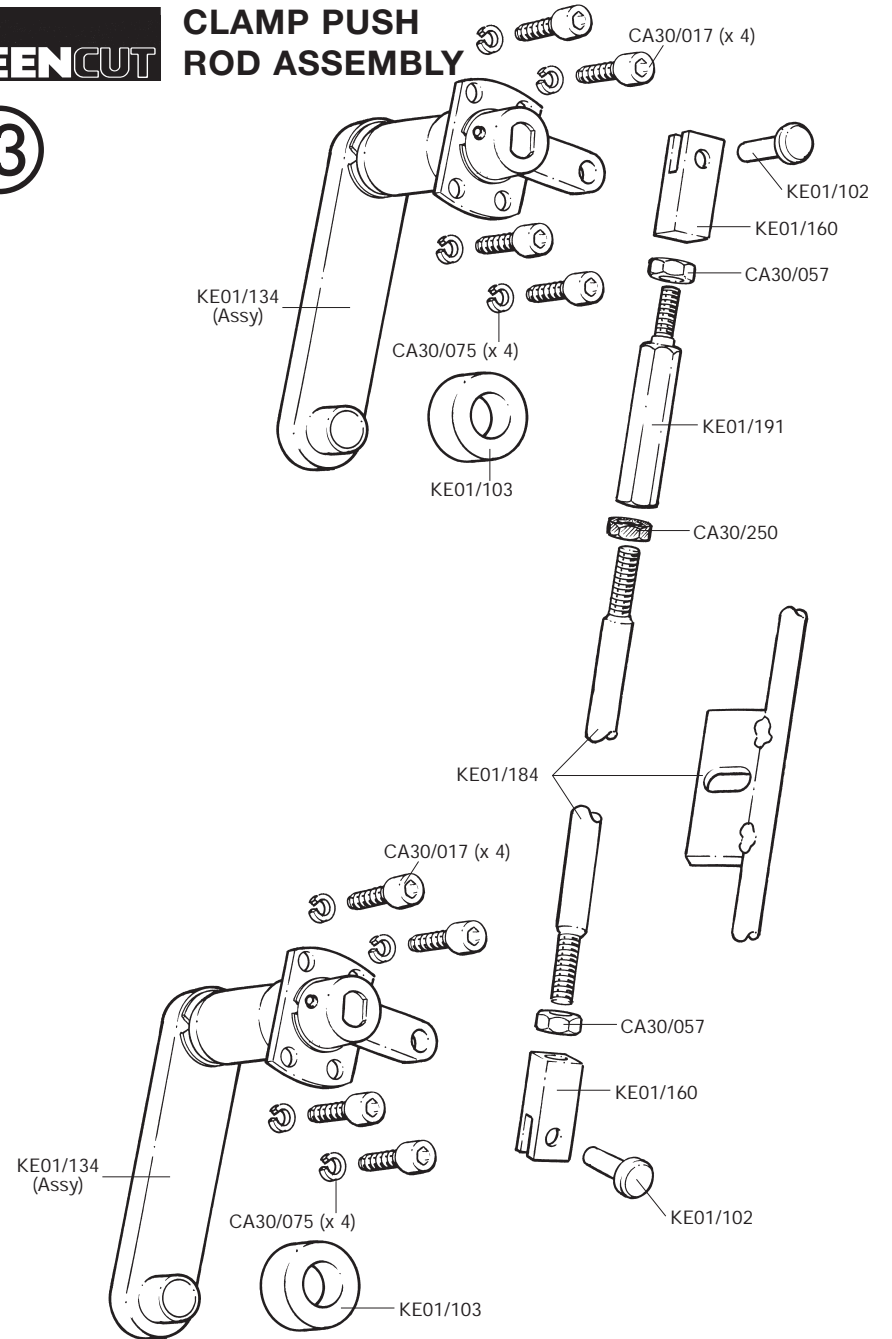
# KEENCUT SPINE ASSEMBLY

12



# KEENCUT CLAMP PUSH ROD ASSEMBLY

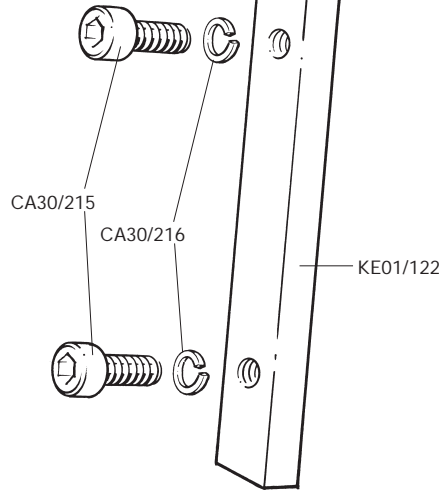
13



**KEENCUT**

**TOP LEG CLAMP  
BLOCK**

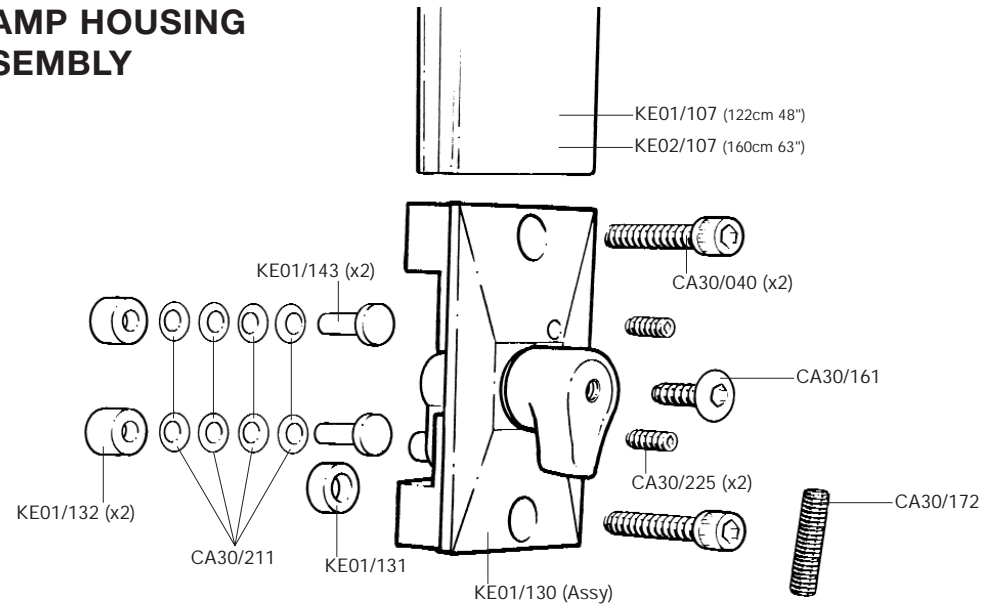
14



**KEENCUT**

**CLAMP HOUSING  
ASSEMBLY**

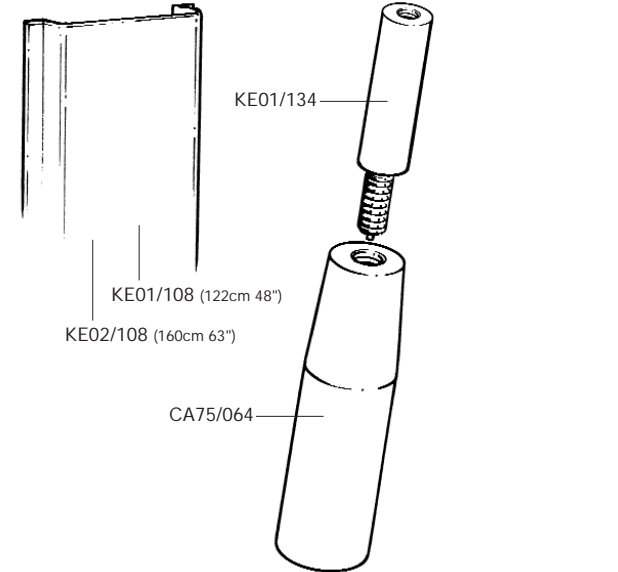
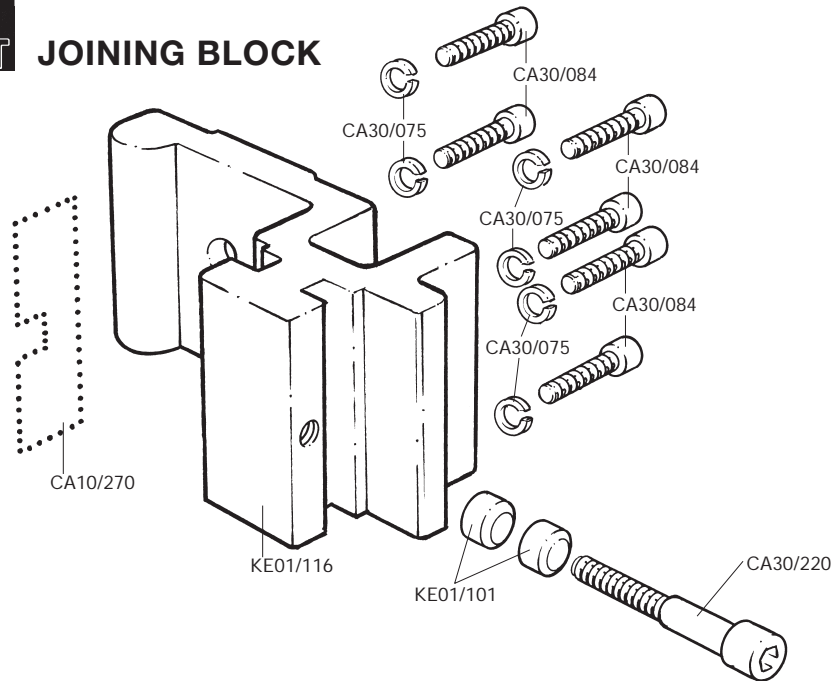
15



**KEENCUT**

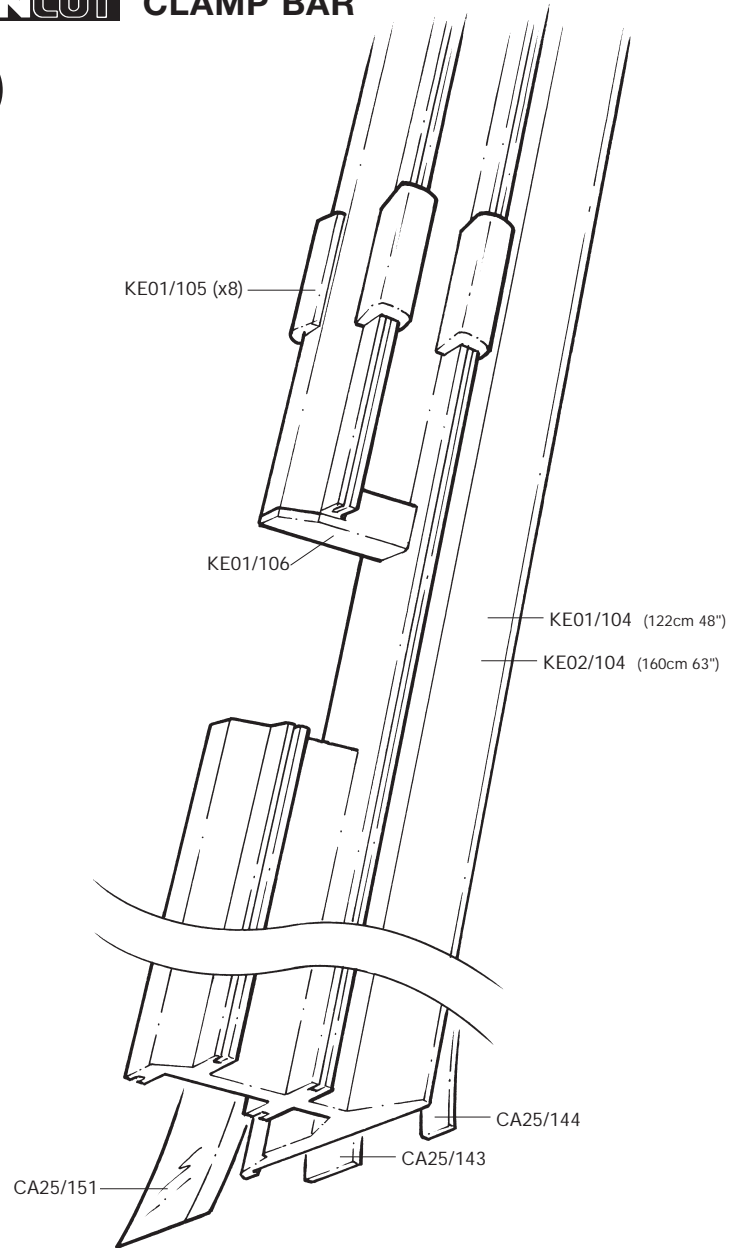
**JOINING BLOCK**

16



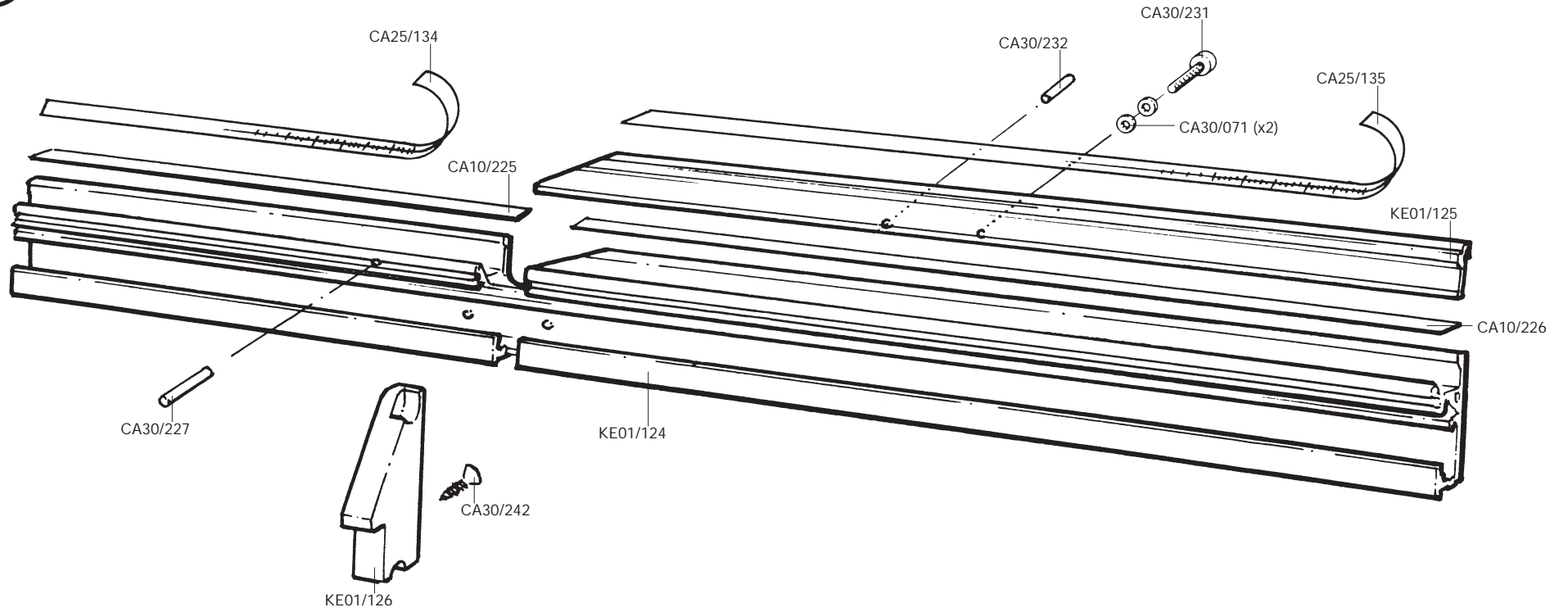
**KEENCUT CLAMP BAR**

17



**KEENCUT** SQUARING ARM

18





For sales, service and spare parts

[www.apm-mouldings.com.au](http://www.apm-mouldings.com.au)

APM Mouldings 120-130 Bolinda Rd Campbellfield, VIC 3061  
Ph: 03 8301 9199 | Fax 03 9357 4077 | Email [apmoffice@chamton.com](mailto:apmoffice@chamton.com)  
[www.apm-mouldings.com.au](http://www.apm-mouldings.com.au)

Australian Owned Family Company  
Quality Moulding Manufacturers and Distributors



FOR ORDERS  
Available 24/7

